

## V5 X Series VRF

### Features

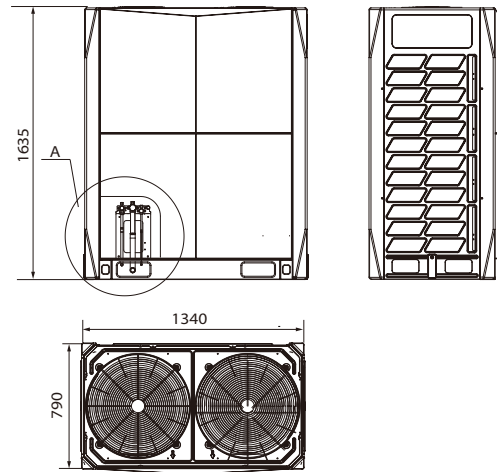
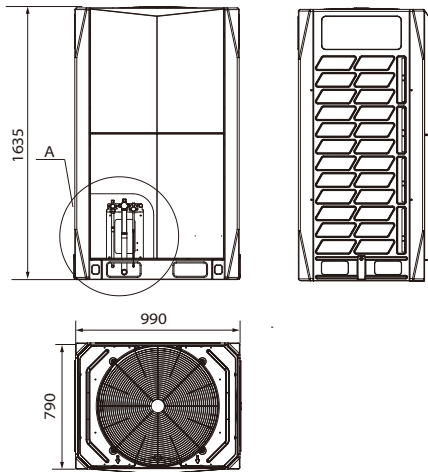
- ❖ All DC inverter compressors and all DC fan motors
- ❖ 8HP to 88HP
- ❖ Connect up to 64 indoor units
- ❖ ESP of up to 60Pa
- ❖ Duty cycling extends compressor life
- ❖ Precise oil control technology
- ❖ Advanced noise-reduction technology
- ❖ Intelligent defrosting technology
- ❖ Simple communication wiring
- ❖ Auto addressing
- ❖ Air cooled electric control box
- ❖ Rotatable electric control box
- ❖ Easy maintenance



# Unit Dimensions

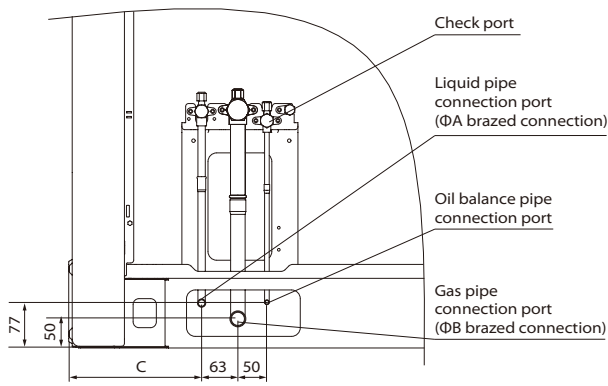
8/10/12HP Unit Dimensions (Unit: mm)

14/16/18/20/22HP Unit Dimensions (Unit: mm)



## Detail A Dimensions

8/10/12/14/16/18/20/22HP Detail A Dimensions (Unit: mm)



| Size | 8/10HP | 12HP | 14/16HP | 18/20/22HP |
|------|--------|------|---------|------------|
| A    | 12.7   | 15.9 | 15.9    | 19.1       |
| B    | 25.4   | 28.6 | 31.8    | 31.8       |
| C    | 229    | 229  | 244     | 244        |

## Specifications

| Model                             | 3 phase, 220V, 60Hz | MV5-X252W/V2DN1                       | MV5-X280W/V2DN1 | MV5-X335W/V2DN1 | MV5-X400W/V2DN1 | MV5-X450W/V2DN1 | MV5-X500W/V2DN1 | MV5-X560W/V2DN1 | MV5-X615W/V2DN1 |       |
|-----------------------------------|---------------------|---------------------------------------|-----------------|-----------------|-----------------|-----------------|-----------------|-----------------|-----------------|-------|
| Cooling <sup>1</sup>              | Capacity            | kW                                    | 25.2            | 28.0            | 33.5            | 40.0            | 45.0            | 50.0            | 56.0            | 61.5  |
|                                   | Power input         | kW                                    | 5.36            | 6.22            | 7.79            | 9.30            | 10.98           | 12.82           | 14.51           | 16.44 |
|                                   | EER                 |                                       | 4.70            | 4.50            | 4.30            | 4.30            | 4.10            | 3.90            | 3.86            | 3.74  |
| Heating <sup>2</sup>              | Capacity            | kW                                    | 27.0            | 31.5            | 37.5            | 45.0            | 50.0            | 56.0            | 63.0            | 69.0  |
|                                   | Power input         | kW                                    | 4.82            | 5.94            | 7.65            | 9.38            | 10.87           | 13.18           | 15.29           | 17.12 |
|                                   | COP                 |                                       | 5.60            | 5.30            | 4.90            | 4.80            | 4.60            | 4.25            | 4.12            | 4.03  |
| Piping connections <sup>3</sup>   | Liquid pipe         | mm                                    | Φ12.7           | Φ12.7           | Φ15.9           | Φ15.9           | Φ15.9           | Φ19.1           | Φ19.1           | Φ19.1 |
|                                   | Gas pipe            | mm                                    | Φ25.4           | Φ25.4           | Φ28.6           | Φ31.8           | Φ31.8           | Φ31.8           | Φ31.8           | Φ31.8 |
|                                   | Oil balance pipe    | mm                                    | Φ6.35           |                 |                 |                 |                 |                 |                 |       |
| Air flow rate                     | m <sup>3</sup> /h   | 12000                                 | 12000           | 12000           | 14000           | 14000           | 16000           | 16000           | 16000           |       |
| Sound pressure level <sup>4</sup> | dB(A)               | 58                                    | 59              | 60              | 62              | 62              | 63              | 63              | 63              |       |
| Net dimensions (W×H×D)            | mm                  | 990×1635×790                          |                 |                 |                 | 1340×1635×790   |                 |                 |                 |       |
| Packed dimensions (W×H×D)         | mm                  | 1055×1805×855                         |                 |                 |                 | 1405×1805×855   |                 |                 |                 |       |
| Net/gross weight                  | kg                  | 219/234                               | 219/234         | 237/252         | 297/315         | 297/315         | 305/323         | 340/358         | 340/358         |       |
| Operating temperature             | °C                  | Cooling: -5 to 48; Heating: -20 to 24 |                 |                 |                 |                 |                 |                 |                 |       |

Notes:

- Indoor temperature 27°C DB, 19°C WB; outdoor temperature 35°C DB; equivalent refrigerant piping length 7.5m with zero level difference.
- Indoor temperature 20°C DB; outdoor temperature 7°C DB, 6°C WB; equivalent refrigerant piping length 7.5m with zero level difference.
- Diameters given are those of the unit's stop valve.
- Sound pressure level is measured at a position 1m in front of the unit and 1.3m above the floor in a semi-anechoic chamber.

Dealer information