

## V4 Plus S Series VRF

### Features

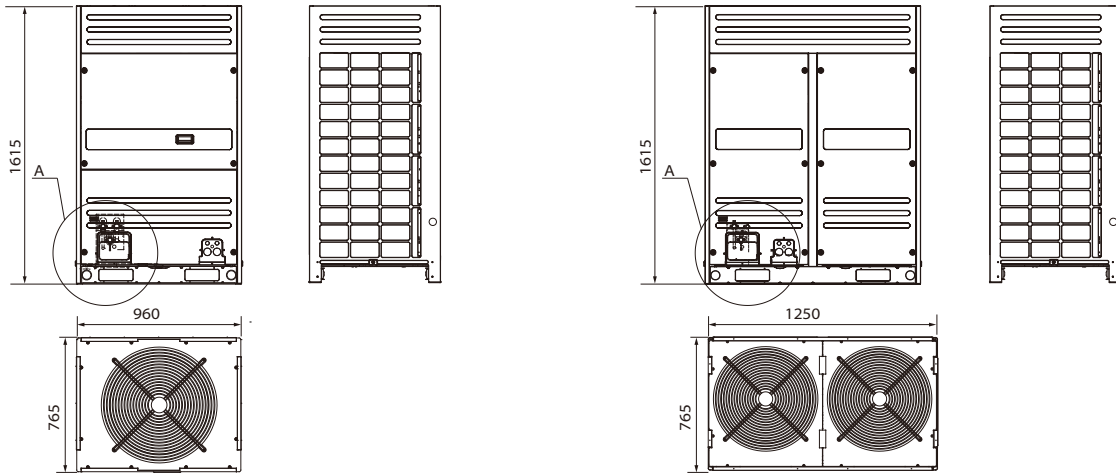
- ❖ All DC inverter compressors and all DC fan motors
- ❖ 8HP to 72HP
- ❖ Connect up to 64 indoor units
- ❖ ESP of up to 60Pa
- ❖ Duty cycling extends compressor life
- ❖ Precise oil control technology
- ❖ Advanced noise-reduction technology
- ❖ Intelligent defrosting technology
- ❖ Simple communication wiring
- ❖ Auto addressing
- ❖ Easy maintenance



# Unit Dimensions

8/10HP Unit Dimensions (Unit: mm)

12/14/16/18HP Dimensions (Unit: mm)

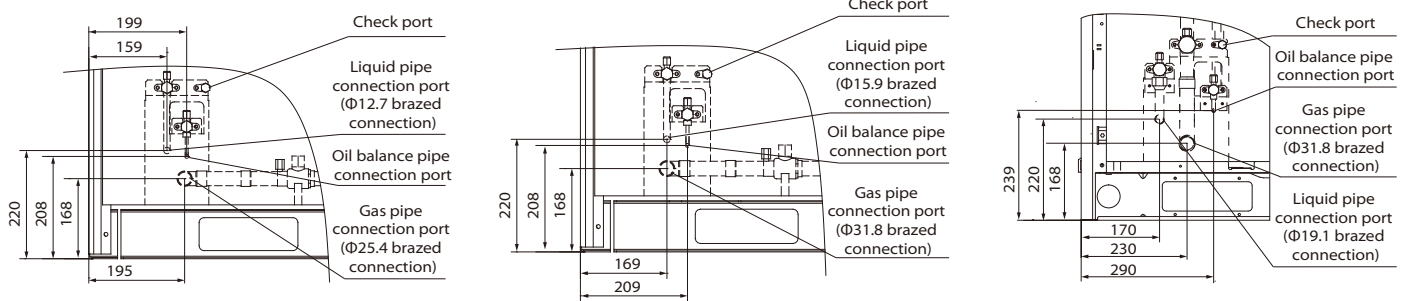


## Detail A Dimensions

8/10HP Detail A Dimensions (Unit: mm)

12/14/16HP Detail A Dimensions (Unit: mm)

18HP Detail A Dimensions (Unit: mm)



## Specifications

3 phase, 220V, 60Hz		MDV-252(8)W/D2DN1(B)	MDV-280(10)W/D2DN1(B)	MDV-335(12)W/D2DN1(B)	MDV-400(14)W/D2DN1(B)	MDV-450(16)W/D2DN1(B)	MDV-500(18)W/D2DN1(B)	
Cooling <sup>1</sup>	Capacity	kW	25.2	28.0	33.5	40.0	45.0	50.0
	Power input	kW	5.88	7.05	8.79	11.30	13.25	14.79
	EER		4.29	3.97	3.81	3.54	3.40	3.38
Heating <sup>2</sup>	Capacity	kW	27.0	31.5	37.5	45.0	50.0	56.0
	Power input	kW	6.15	7.55	8.99	11.19	12.79	14.40
	COP		4.39	4.17	4.17	4.02	3.91	3.89
Piping connections <sup>3</sup>	Liquid pipe	mm	Φ12.7	Φ12.7	Φ15.9	Φ15.9	Φ15.9	Φ19.1
	Gas pipe	mm	Φ25.4	Φ25.4	Φ31.8	Φ31.8	Φ31.8	Φ31.8
	Oil balance pipe	mm	Φ6.35					
Air flow rate	m <sup>3</sup> /h	11242	11242	13000	15620	15620	15620	
Sound pressure level <sup>4</sup>	dB(A)	57	57	59	61	62	62	
Net dimensions (WxHxD)	mm	960x1615x765				1250x1615x765		
Packed dimensions (WxHxD)	mm	1025x1790x830				1305x1790x820		
Net/gross weight	380-415V	kg	212/227	212/227	288/308	288/308	288/308	310/330
	220V	kg	202/218	202/218	285/305	285/305	288/308	310/330
Operating temperature	°C	Cooling: -5 to 48; Heating: -20 to 24						

Notes:

- Indoor temperature 27°C DB, 19°C WB; outdoor temperature 35°C DB; equivalent refrigerant piping length 7.5m with zero level difference.
- Indoor temperature 20°C DB; outdoor temperature 7°C DB, 6°C WB; equivalent refrigerant piping length 7.5m with zero level difference.
- Diameters given are those of the unit's stop valve.
- Sound pressure level is measured at a position 1m in front of the unit and 1.3m above the floor in a semi-anechoic chamber.

Dealer information